

MAGNIFLOOD

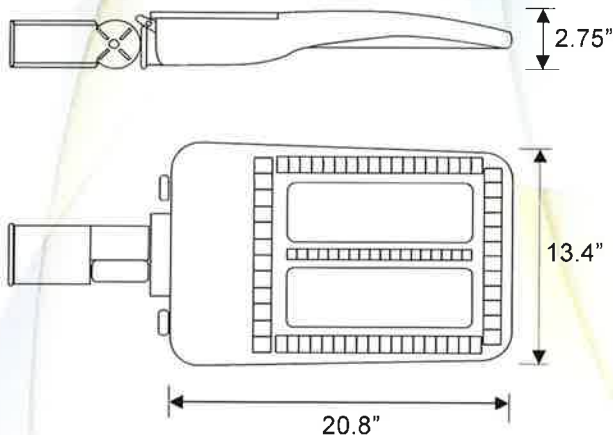
lighting your way™



PARKWAY-2 LED

Large Area

Dimensions:



Ordering Information

Product	SP2-LED
Wattage	150W 250W
Color Source	3K - 3000K 4K - 4000K 5K - 5000K
Optional Features	PST - Twist lock photocontrol/receptacle PS - Photo receptacle only 10KVA - 10KVA surge surge suppressor F - Fuse GS - Rear side glare shield

Features

MagniFlood's PARKWAY-2 LED luminaire is a municipal grade large area light, rugged and sleek with great photometry and visual appeal. Using quality LEDs we are able to reach 130 lumens per watt out of the fixture.

The cast aluminum housing and knuckle are assembled with stainless steel hardware. Incorporated into the design is an injection molded optical grade polycarbonate lens creating vandal resistance while offering a choice of type II, III, IV and V photometry.

Heat is the most common cause of LED failure. The Parkway-2 housing has deep louver fins allowing the fixture to properly dissipate the heat. The luminaire is powder coated with an outdoor UV resistant TGIC powder.

The luminaire is easily installed by securing the fixture's adjustable cast knuckle to a two inch pipe tenon using a pole or wall bracket.

Specifications:

Module Number	SP2-LED
LED	3030
Wattages & Lumens	150 Watts - 19,500Lm 250 Watts - 32,500Lm
Light Efficiency	130Lm/W
Surge Protection	10KVA
Color Temperature	3000K (Warm White) 4000K (Neutral White) 5000K (Cool White)
Voltage	100-277VAC 50/60Hz
Temperatures	- 40°C ~ + 55°C
IP Rating	Listed for wet locations. IP65
Warranty	2-Year warranty